

# MANISCOPIC


## ■ **MT 1435** SL & SLT




- Maximum lifting height : 13.60 m
- Capacity : 3500 kg
- Maximum forward reach : 9.80 m
- Torque convertor
- Hydraulic stabilizers
- Frame levelling


 **MANITOU**

# MT 1435 SL/SLT


 **Lifting capacity** .....3500 kg  
at 500 mm from forks heels.  
Tipping load at maximum reach : .....1430 kg  
Tear out force with toothed digging bucket  
to ISO 8313-1986 with tilting ram .....7600 daN


 **Lifting height** : .....13.60 m  
**Times** : unladen/loaded (in s) Version Turbo  
Lifting .....10.8/11.3  
Lowering .....7.6/7.2  
Simultaneous extension 1st and 2nd booms ...16.9/18  
Simultaneous retraction 1st and 2nd booms ...14.5/13.8  
Time unladen (in s)  
Crowd .....4.2  
Dump .....3.6


 **Tyres**  
15.5/80-24


 **Forks** (mm)  
Length .....1200  
Width x thickness .....125 X 45  
Maximum distance between forks .....1040  
Carriage rotation .....124°


 **Multidisc brakes - hydraulically on both axles**

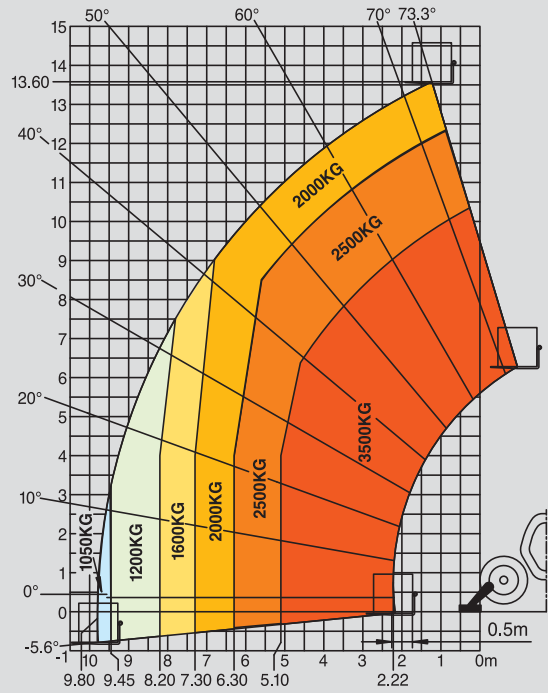
 **PERKINS Engine**  
Type .....1104C.44/1104C.44 Turbo  
Capacity ..... 4 cylindres - 4400 cm<sup>3</sup>  
Power (ISO/TR 14396) : Atmo .....82 HP/61.5 kw  
at 2200 rpm Turbo .....100 HP/74.5 kw  
Maximum torque : Atmo .....302 Nm at 1400 rpm  
Turbo .....412 Nm at 1400 rpm  
Direct Injection  
Water Cooling

 **Transmission** .....Torque convertor  
Electro-hydraulic reversing shift  
4 speeds forward and reverse  
Maximum travel speed .....25 km/h

 **Hydraulics**  
Lifting/tilting pump  
gear type : Atmo .....260 bars/105 l/mn  
Turbo .....260 bars/163 l/mn  
Flow divider with priority to steering and brakes

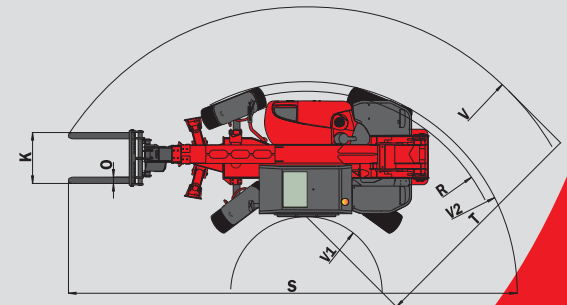
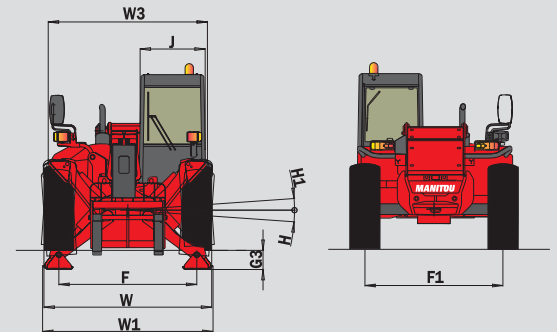
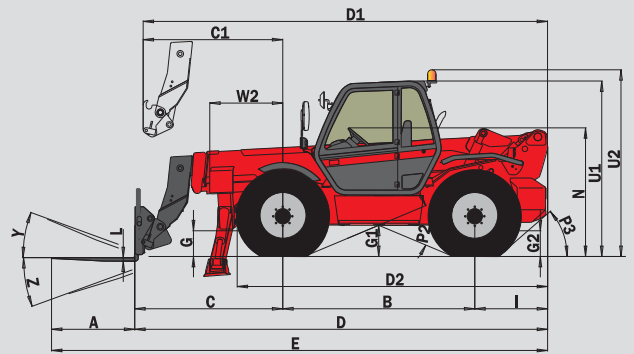
 **Capacities**  
Cooling system .....18.5 l.  
Engine oil .....11 l.  
Hydraulic oil .....120 l.  
Transmission oil .....15.1 l.  
Fuel tank .....135 l.

 **Weight unladen** (with forks) .....10210 kg  
**Overall width** .....2.33 m  
**Overall width stabilizers extended** .....2.33 m  
**Overall height** .....2.58 m  
**Turning radius** (outside wheels) .....4.16 m  
**Length up to carriage** .....6.09 m  
**Ground clearance** .....0.45 m  
**Drawbar pull** .....7500/8600 daN



Under  
EN 1459  
annexe B

A	1200
B	2770
C	2269
C1	2348
D	6089
D1	6168
D2	4405
E	7289
F1	1916
G	450
G1	445
G2	450
G3	275
H	7°
H1	7°
I	1050
J	950
K	1040
L	45
N	1850
O	125
P2	45.5°
P3	40°
R	3950
S	9010
T	4355
U1	2575
U2	2755
V	5825
V1	1470
V2	4157
W	2330
W1	2320
W2	1125
W3	2035
Y	12°
Z	112°



This equipment described in this leaflet may be standard, optional, or unavailable, depending on the versions.  
For more details, contact your MANITOU dealer.



**MANITOU BF SA**  
B.P. 249 - 44158 Ancenis Cedex - France  
Tél. : 33 2 40 09 10 11 / Export Department Fax : 33 2 40 09 10 97  
www.manitou.com

700328EN

